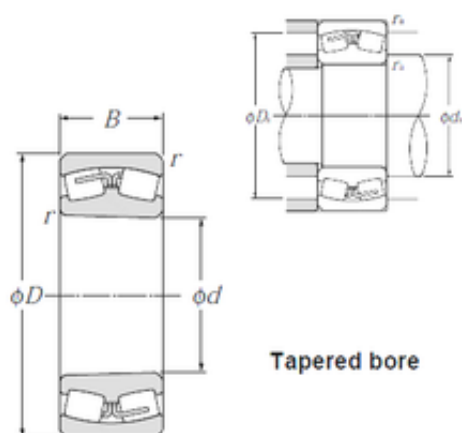




BEARING BOWER CORP.

50 mm x 110 mm x 40 mm JPU60-129 Timing Belt Bearing



Bearing No. 22310CK

22310CK Bearing 2D drawings and 3D CAD models

Size	50x110x40 mm
Bore Diameter	50 mm
Outer Diameter	110 mm
Width	40 mm
d	50 mm
D	110 mm
B	40 mm
C	40 mm
r min.	2 mm
da min.	60 mm
Da max.	100 mm
ra max.	2 mm
Weight	1,75 Kg
Basic dynamic load rating (C)	186 kN
Basic static load rating (C0)	212 kN
(Grease) Lubrication Speed	3 700 r/min
(Oil) Lubrication Speed	4 800 r/min
Calculation factor (e)	0,37
Calculation factor (Y0)	1,76
Calculation factor (Y1)	1,8
Category	Bearings
Inventory	0.0
Manufacturer Name	NTN
Minimum Buy Quantity	N/A
Weight / Kilogram	0



BEARING BOWER CORP.

EAN	4547359268645
Product Group	B04311