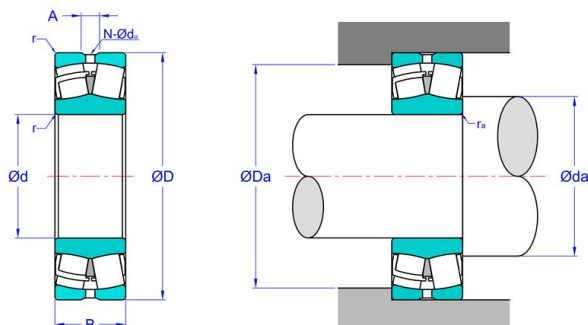




BEARING BOWER CORP.

110 mm x 200 mm x 53 mm E 14 Magneto Bearing For Generators 14x35x8mm

Bearing No. 22222EXQW33



22222EXQW33 Bearing 2D drawings and 3D CAD models

Bore Type	Cylindrical Bore
Enclosure	Open
Configuration	Double Row
Roller Profile	Symmetric
Center Guidance	Floating Steel Ring
Retainer Material	Pressed Steel
Nr. of Holes	6
Weight	7.360 kg
d	110 mm
D	200 mm
B	53 mm
Fillet Radius/Chamfer	2.1 mm
Groove Width A	10 mm
Hole Diameter (do)	5 mm
Dynamic Load Rating	680,000 N
Static Load Rating	640,000 N
Limiting Speed - Grease	2,900 rpm
Limiting Speed - Oil	3,400 rpm
Constant e	0.26
Axial Load Factor Y0	2.58
Axial Load Factor Y1	2.64
Axial Load Factor Y2	3.93
Radial Clearance	0.075 to 0.120 mm
da (min)	122 mm
Da (max)	188 mm



BEARING BOWER CORP.

ra (max)	2 mm
----------	------