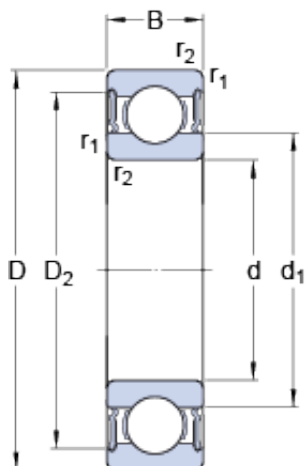




BEARING BOWER CORP.

95 mm x 120 mm x 13 mm 300000 Kilometers
Warrant 179815005 MAN Truck Wheel Hub
Bearing Units

Bearing No. 61819-2RS1



61819-2RS1 Bearing 2D drawings and 3D CAD models

Size	120x95x13 mm
Bore Diameter	120 mm
Outer Diameter	95 mm
Width	13 mm
d	95 mm
D	120 mm
B	13 mm
d ₁	103.3 mm
D ₂	114.3 mm
r _{1,2} - min.	1 mm
d _a - min.	99.6 mm
d _a - max.	102.9 mm
D _a - max.	115 mm
r _a - max.	1 mm
Basic dynamic load rating - C	19.9 kN
Basic static load rating - C ₀	17.6 kN
Fatigue load limit - P _u	0.93 kN
Limiting speed	3000 r/min
Calculation factor - k _r	0.015
Calculation factor - f ₀	13.3
Category	Bearings
Inventory	0.0
Manufacturer Name	SKF



BEARING BOWER CORP.

Minimum Buy Quantity	N/A
Weight / Kilogram	0.305
Product Group	B00308
d_1	103.3 mm
D_2	114.3 mm
$r_{1,2}$ min.	1 mm
d_a min.	99.6 mm
d_a max.	102.9 mm
D_a max.	115 mm
r_a max.	1 mm
Basic dynamic load rating C	19.9 kN
Basic static load rating C_0	17.6 kN
Fatigue load limit P_u	0.93 kN
Calculation factor k_r	0.015
Calculation factor f_0	13.3
Mass bearing	0.3 kg