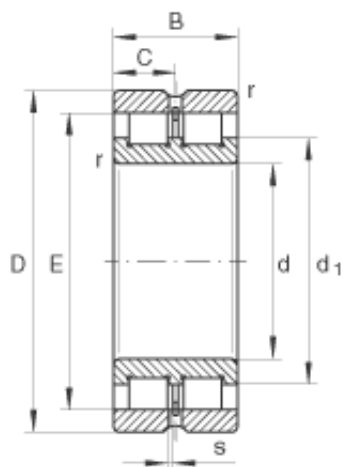




## BEARING BOWER CORP.



190 mm x 240 mm x 50 mm 22316CAK  
Bearings 80 × 170 × 58mm

Bearing No. sl024838

sl024838 Bearing 2D drawings and 3D CAD models

Size	190x240x50 mm
Bore Diameter	190 mm
Outer Diameter	240 mm
Width	50 mm
d	190 mm
D	240 mm
B	50 mm
C	25 mm
d <sub>1</sub>	207,6 mm
E	225 mm
r <sub>min</sub>	1,5 mm
s	4 mm / Axial displacement
	NNCL4838V / Designation to DIN 5412
m	5,45 kg / Weight
C <sub>r</sub>	310000 N / Dynamic load rating (radial)
C <sub>0r</sub>	730000 N / Static load rating (radial)
C <sub>ur</sub>	81000 N / Fatigue limit load, radial
n <sub>G</sub>	1480 1/min / Limiting speed
Category	Cylindrical Roller Bearings
Inventory	0.0
Manufacturer Name	SCHAEFFLER GROUP
Minimum Buy Quantity	N/A



## BEARING BOWER CORP.

Weight / Kilogram	5.45
Product Group	B04144
Bore Profile	Straight
Cage Material	None
Precision Class	RBEC 1   ISO P0
Number of Rows of Rollers	Double Row
Separable	Outer Ring - Both Sides
Rolling Element	Cylindrical Roller Bearing
Profile	Complete with Outer and Inner Ring
Snap Ring	No
Internal Clearance	C0-Medium
Retainer	No
Relubricatable	Yes
Inch - Metric	Metric
Other Features	Full Complement   3 Rib Inner Ring   Plain Outer Ring   Operating Temperature From -30 to 120 Deg
Long Description	190MM Bore; Straight Bore Profile; 240MM Outside Diameter; 50MM Width; RBEC 1   ISO P0; Double Row; Outer Ring - Both Sides Separable; No Snap Ring; Relubricatable; C0-Medium Internal Clearance; No Re
Category	Cylindrical Roller Bearing
UNSPSC	31171547
Harmonized Tariff Code	8482.50.00.00
Noun	Bearing
Manufacturer URL	<a href="http://www.ina.com">http://www.ina.com</a>
Manufacturer Item Number	SL024838
Weight / LBS	14.388



## BEARING BOWER CORP.

Outside Diameter	9.449 Inch   240 Millimeter
Width	1.969 Inch   50 Millimeter
Bore	7.48 Inch   190 Millimeter