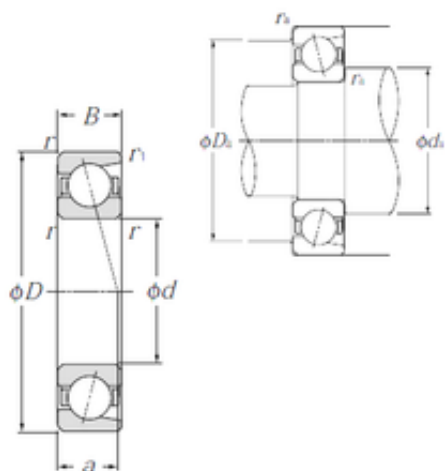




BEARING BOWER CORP.

25 mm x 52 mm x 15 mm TRANS60908-15 Eccentric Bearing



Bearing No. 7205

Size	25x52x15 mm
Bore Diameter	25 mm
Outer Diameter	52 mm
Width	15 mm
d	25 mm
D	52 mm
B	15 mm
C	15 mm
Angle (°)	25 °
a	19 mm
r min.	1 mm
r1 min.	0,6 mm
da min.	30,5 mm
db min	29,5 mm
ra max.	1 mm
Weight	0,125 Kg
Basic dynamic load rating (C)	16,2 kN
Basic static load rating (C0)	10,3 kN
(Grease) Lubrication Speed	14 000 r/min
Contact angle	30 °
rs min	1 mm
r1s min	0.6 mm
Mass	0.12 kg
Dynamic load, C	16.2 kN
Static load, C0	10.3 kN

7205 Bearing 2D drawings and 3D CAD models



BEARING BOWER CORP.

Fatigue limit load, Cu	0.47 kN
Nlim (oil)	19,000 rpm
Nlim (grease)	14,000 rpm
Min operating temperature, Tmin	-40 ° C
Max operating temperature, Tmax	120 ° C
Characteristic cage frequency, FTF	0.41 Hz
Characteristic rolling element frequency, BSF	4.76 Hz
Characteristic outer ring frequency, BPF0	5.36 Hz
Characteristic inner ring frequency, BRFI	7.64 Hz
da min	30.5 mm
Da max	46.5 mm
Db max	47.5 mm
r1a max	0.6 mm
ra max	1 mm
bore diameter:	25 mm
radial static load capacity:	10300 N
outside diameter:	52 mm
operating temperature range:	-40 to 120 ° C
overall width:	15 mm
cage material:	Steel
contact angle:	30 °
outer ring width:	15 mm
row type & fill slot:	Single-Row Non-Fill Slot
maximum rpm:	19000 rpm
internal clearance:	C0
finish/coating:	Uncoated
bore type:	Round



BEARING BOWER CORP.

precision rating:	ISO Class 0
closure type:	Open
fillet radius:	1 mm
snap ring included:	Without Snap Ring
series:	72
bearing material:	High Carbon Chrome Steel
weight:	0.125 kg
radial dynamic load capacity:	16200 N
manufacturer product page:	Click here