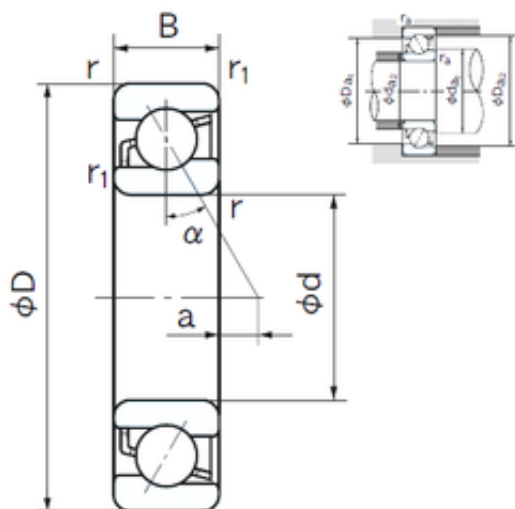




BEARING BOWER CORP.



35 mm x 62 mm x 14 mm 32010-X-XL Taper Roller Bearing 50x80x20mm

Bearing No. 7007

7007 Bearing 2D drawings and 3D CAD models

Size	35x62x14 mm
Bore Diameter	35 mm
Outer Diameter	62 mm
Width	14 mm
d	35 mm
D	62 mm
B	14 mm
C	14 mm
Angle (°)	30 °
a	7 mm
r min.	1 mm
r1 min.	0.6 mm
da min.	40 mm
Da max.	57 mm
ra max.	1 mm
Weight	0.170 Kg
Basic dynamic load rating (C)	17,5 kN
Basic static load rating (C0)	12,6 kN
(Grease) Lubrication Speed	9500 r/min
Configuration	Single Row
Enclosure	Open
Bore Type	Cylindrical Bore
Bore Size	35 mm
Outside Diameter	62 mm
Width	14 mm



BEARING BOWER CORP.

Fillet Radius/Chamfer	1 mm
r1	0.6 mm
Dynamic Load Rating	17,500 N
Static Load Rating	12,600 N
Limiting Speed - Grease	9,500 rpm
Limiting Speed - Oil	13,000 rpm
da1 (min)	40 mm
da2 (min)	40 mm
Da1 (max)	57 mm
Da2 (max)	59 mm
ra (max)	1 mm
ra1 (max)	0.6 mm